

# HermanMiller

## AbakEnvironments Desk



### IMPORTANT!

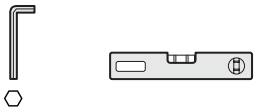
PLEASE READ THIS GUIDE THOROUGHLY BEFORE BEGINNING INSTALLATION.

IT IS STRONGLY RECOMMENDED THAT INSTALLATION BE PERFORMED BY AT LEAST 2 PEOPLE. FAILURE TO DO SO MAY RESULT IN PRODUCT DAMAGE AND/OR PERSONAL INJURY.

PLEASE SAVE THESE INSTRUCTIONS FOR DISASSEMBLY OR RECONFIGURATION.

## How to assemble your AbakEnvironments Desk

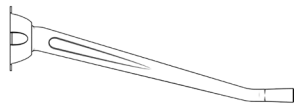
### Tools Required



### Parts Included



Work Surface (x1)




Legs (x4)



Screws (x16)

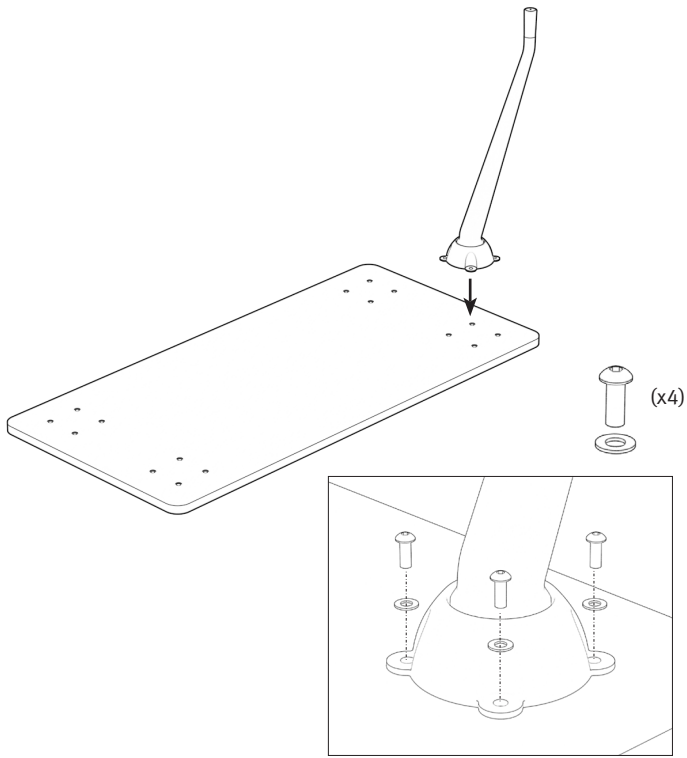


Washers (x16)

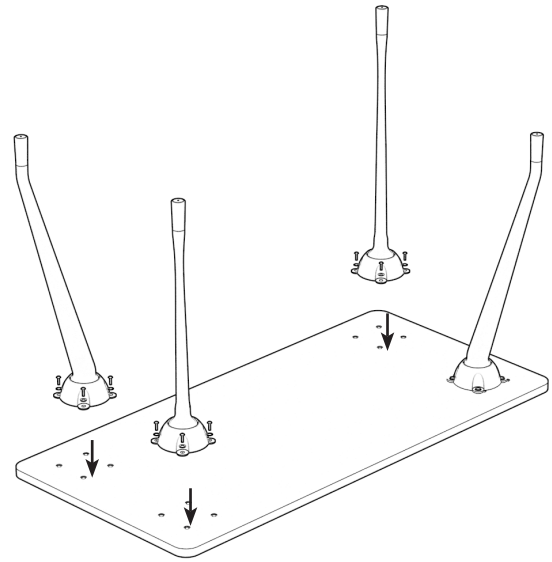
HermanMiller and  are among the registered trademarks of Herman Miller, Inc.  
Printed in the UK. Please recycle.  
© 2020 Herman Miller, Inc.  
All rights reserved.



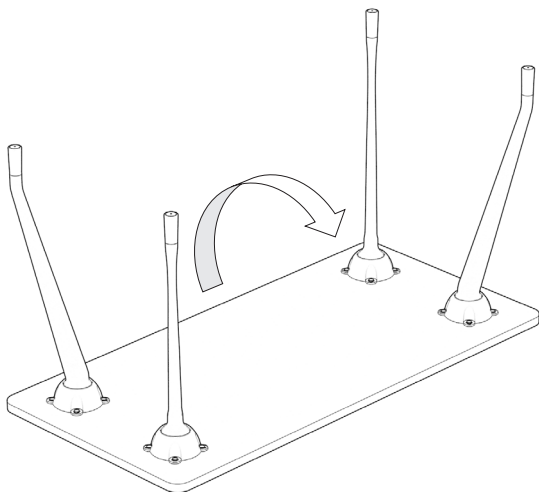
**Step 1.**



**Step 2.**



**Step 3.**



**Step 4.**

